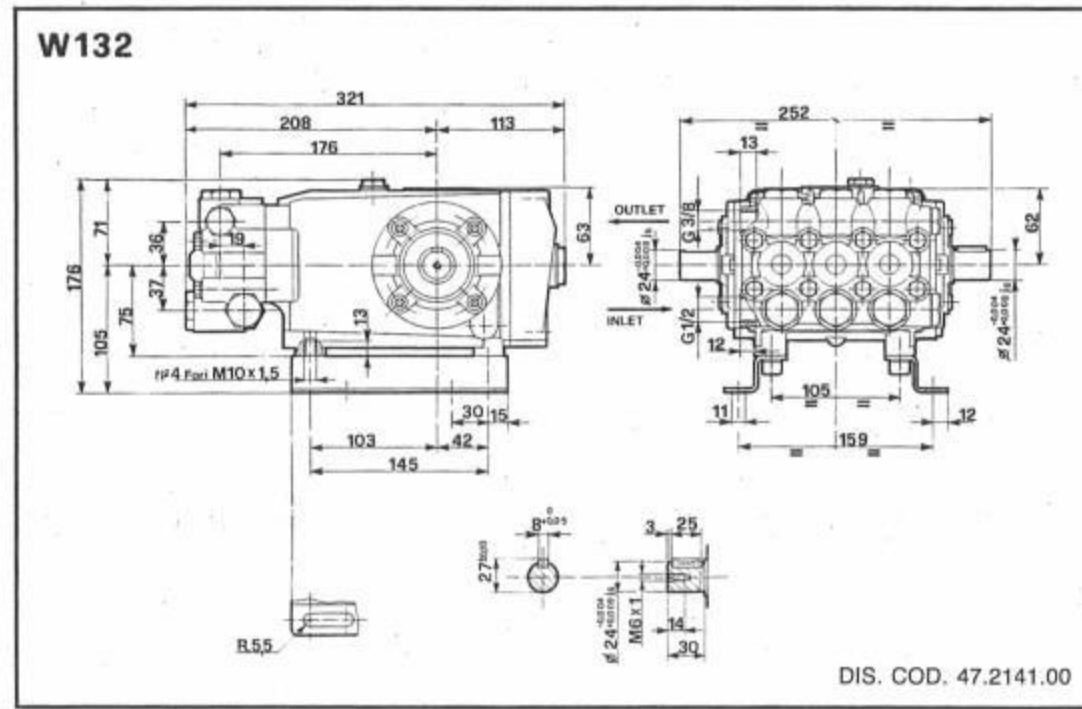
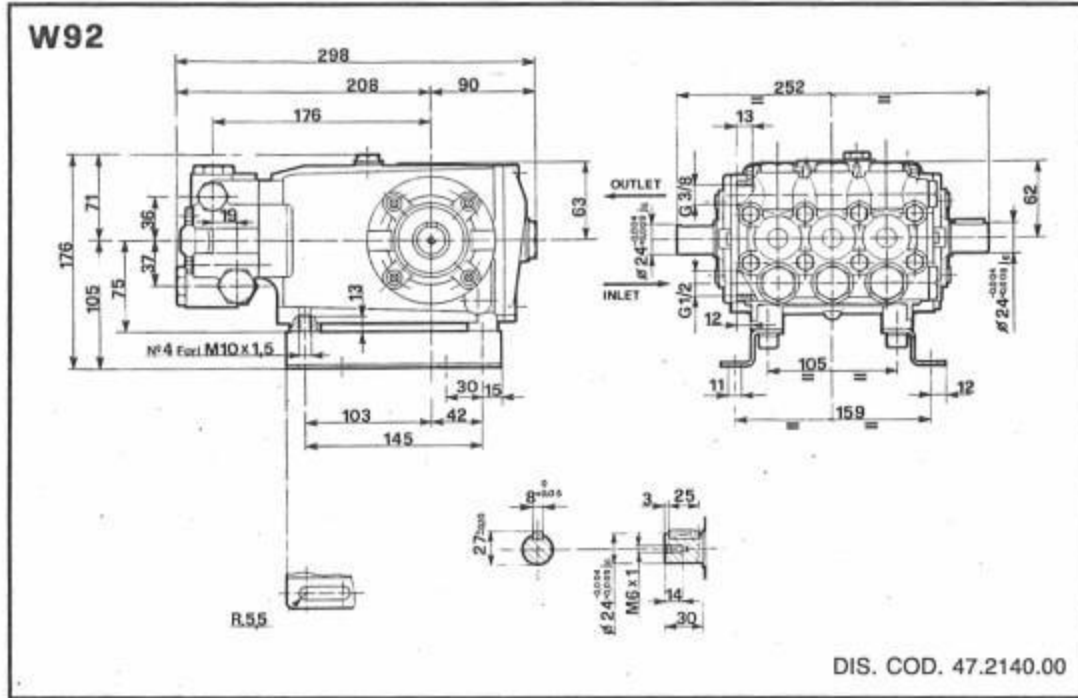


OVERALL DIMENSIONS

外型尺寸



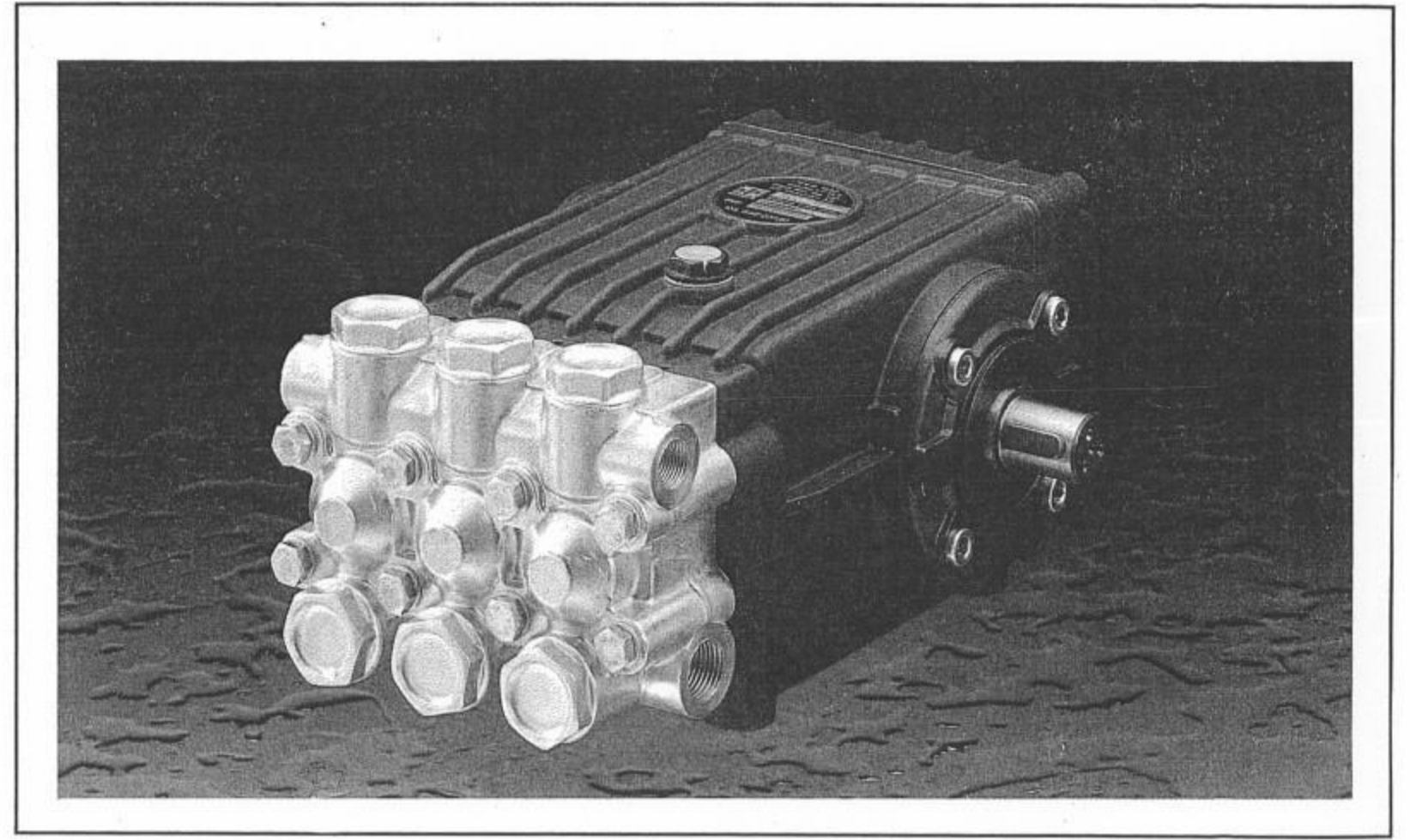
	W92	W132
<p>■ LUBRICATION: We recommend INTERPUMP OIL X-9.9. (SAE 15W40 Mineral) - OIL CAPACITY</p> <p>润滑：我们建议您使用INTERPUMP OIL X-9.9 (SAE 15W40 Mineral) 专用油，加油量为</p>	1	1.2
	1	1.2



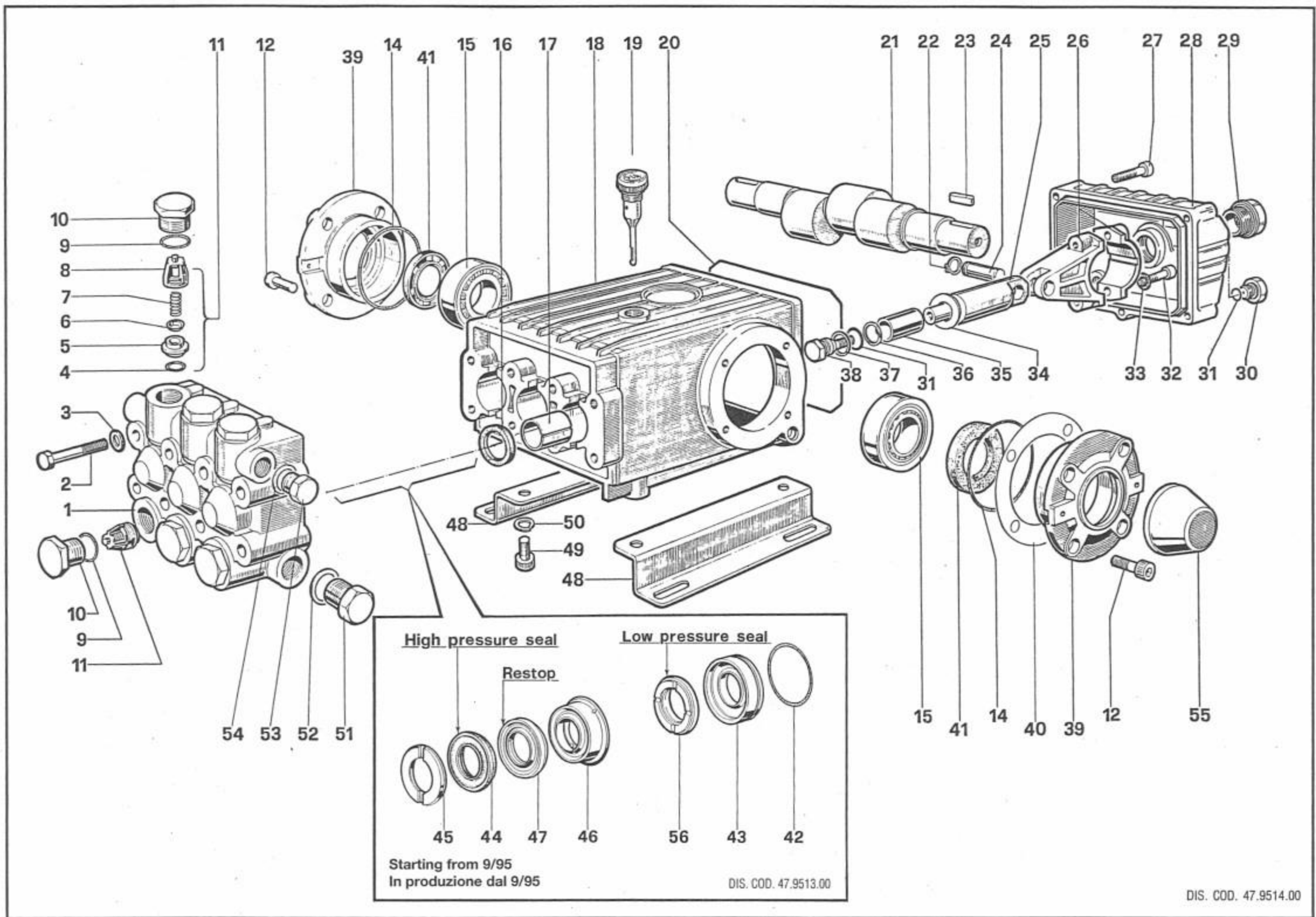
Cod. 47.2243.03 - 10/03 - 1.000 De Pietri



PUMP W92 - W132



pump type 泵型号	volume 流量		pressure 压力		r.p.m. 转速	required 输入功率 hp/kW	weight kg. 重量	overall dimensions 外型尺寸 mm
	l/min.	G.P.M. (USA)	bar	p.s.i.				
W 92	18	4.75	90	1300	1000	4 / 2,94	14	298x252x176
W 132	18	4.75	130	1885	1000	5,5 / 4,04	14,5	321x252x176



KIT N.	KIT 1	KIT 2	KIT 3	KIT 4	KIT 6	KIT 11	KIT 148	KIT 149	KIT 14	KIT 29
Positions Included	4-5-6-7 8-(11)	16	41	9-10	31-34-36 37-38	45	44-47 56	46-47	42-43	42-43 44-45 46-47 56
包含										
N. pcs.	6	3	2	6	3	6	3	3	3	1

**INTERPUMP GROUP**

**W92**

**W132**

POS.	CODE CODICE	DESCRIPTION DESCRIZIONE	N. PCS.
1	47.1201.41	Testata - OT58 - Brass 铸造黄铜OT58	1
2	99.3206.00	Vite M8x70 UNI 5737 螺栓	8
3	96.7020.00	Rosetta Ø 8 UNI 1736 垫圈	8
4	90.3841.00	OR Ø 17,13x2,62 O型圈	KIT 1 6
5	36.2003.66	Sede valvola 阀座	KIT 1 6
6	36.2001.76	Valvola 阀	KIT 1 6
7	94.7376.00	Molla Ø 9,4x14,8 弹簧	KIT 1 6
8	36.2002.51	Guida valvola 阀导向	KIT 1 6
9	90.3847.00	OR Ø 20,24x2,62 O型圈	KIT 4 6
10	98.2220.00	Tappo M 24x2x16 螺栓	KIT 4 6
11	36.7032.01	Gruppo valvola 阀单元	KIT 1 6
12	99.3039.00	Vite M8x16 UNI 5931 螺栓	8
14	90.3913.00	OR Ø 67,95x2,62 O型圈	2
15	91.8375.00	Cuscinetto a rulli 32206 滚子轴承	2
16	90.1625.00	Anello radiale Ø 22x32x5,5 油封	KIT 2 3
17	90.9126.00	Boccola Ø 22x25x30 衬套	3
18	47.0100.22	Carter 曲轴箱	1
19	98.2106.00	Tappo carico olio G 3/8 油标螺栓	1
20	90.3922.00	OR Ø 133,02x2,62 O型圈	1
21	47.0200.35	Albero - Doppio P. di F. W92 曲轴	1
	47.0201.35	Albero - Doppio P. di F. W132 曲轴	1
22	90.0557.00	Anello di fermo 轴用挡圈	6
23	91.4878.00	Linguetta 键	1
24	97.7380.00	Spinotto Ø 13x35 销子	3
25	47.0504.54	Guida pistone W92 柱塞导向	3
	47.0505.54	Guida pistone W132 柱塞导向	3
26	47.0300.01	Biella completa 连杆	3
27	99.1837.00	Vite M6x14 UNI 5931 (W92) 螺栓	5
	99.1912.00	Vite M6x30 UNI 5931 (W132) 螺栓	5
28	47.1600.22	Coperchio carter W92 曲轴箱端盖	1
	47.1601.22	Coperchio carter W132 曲轴箱端盖	1
29	97.5968.00	Soia olio G 3/4 放油螺丝	1

POS.	CODE CODICE	DESCRIPTION DESCRIZIONE	N. PCS.
30	98.2041.00	Tappo G 1/4x9 螺栓	1
31	90.3585.00	OR Ø 10,82x1,78 O型圈	KIT 6 4
32	99.3099.00	Vite M8x35 UNI 5931 螺栓	6
33	96.7014.00	Rosetta Ø 8,4x13x0,8 垫圈	6
34	96.7286.00	Rosetta Ø 14x28x0,5 垫圈	KIT 6 3
35	47.0405.09	Pistone Ø 22 柱塞	3
36	90.5067.00	Anello per OR 密封圈	KIT 6 3
37	96.7280.00	Rosetta Ø 14x18,5x0,5 垫圈	KIT 6 3
38	47.2195.66	Vite fissaggio pistone 柱塞螺栓	KIT 6 3
39	47.1500.22	Coperchio carter 曲轴箱盖	2
40	97.5678.00	Spessore 薄片	2
41	90.1648.00	Anello radiale Ø 30x55x7 油封	KIT 3 2
42	90.3616.00	OR Ø 34,65x1,78 O型圈	KIT 14-29 3
43	47.0806.70	Anello di fondo Ø 22 密封圈	KIT 14-29 3
44	90.2725.00	Anello tenuta Ø 22 H.P. seal 高压密封圈	KIT 29-148 3
45	46.1000.51	Anello testa Ø 22 第一环	KIT 11-29 3
46	47.2170.70	Anello intermedio Ø 22 中间环	KIT 29-149 3
47	90.2730.00	Anello "RESTOP" Ø 22 限位环	KIT 29-148-149 3
48	47.2000.74	Piedino 底脚	2
49	99.3644.00	Vite M10x18 UNI 5931 螺栓	4
50	96.7106.00	Rosetta Ø 10 DIN 7980 垫圈	4
51	98.2176.00	Tappo G 1/2x10 螺栓	1
52	96.7514.00	Rosetta Ø 21,5x27x1,5 垫圈	1
53	98.2100.00	Tappo G 3/8x13 螺栓	1
54	96.7380.00	Rosetta Ø 17,5x23x1,5 垫圈	1
55	47.2124.51	Cappellotto P. di F. 曲轴螺帽	1
56	90.2728.00	Anello tenuta Ø 22 L.P. seal 低压密封圈	KIT 29-148 3