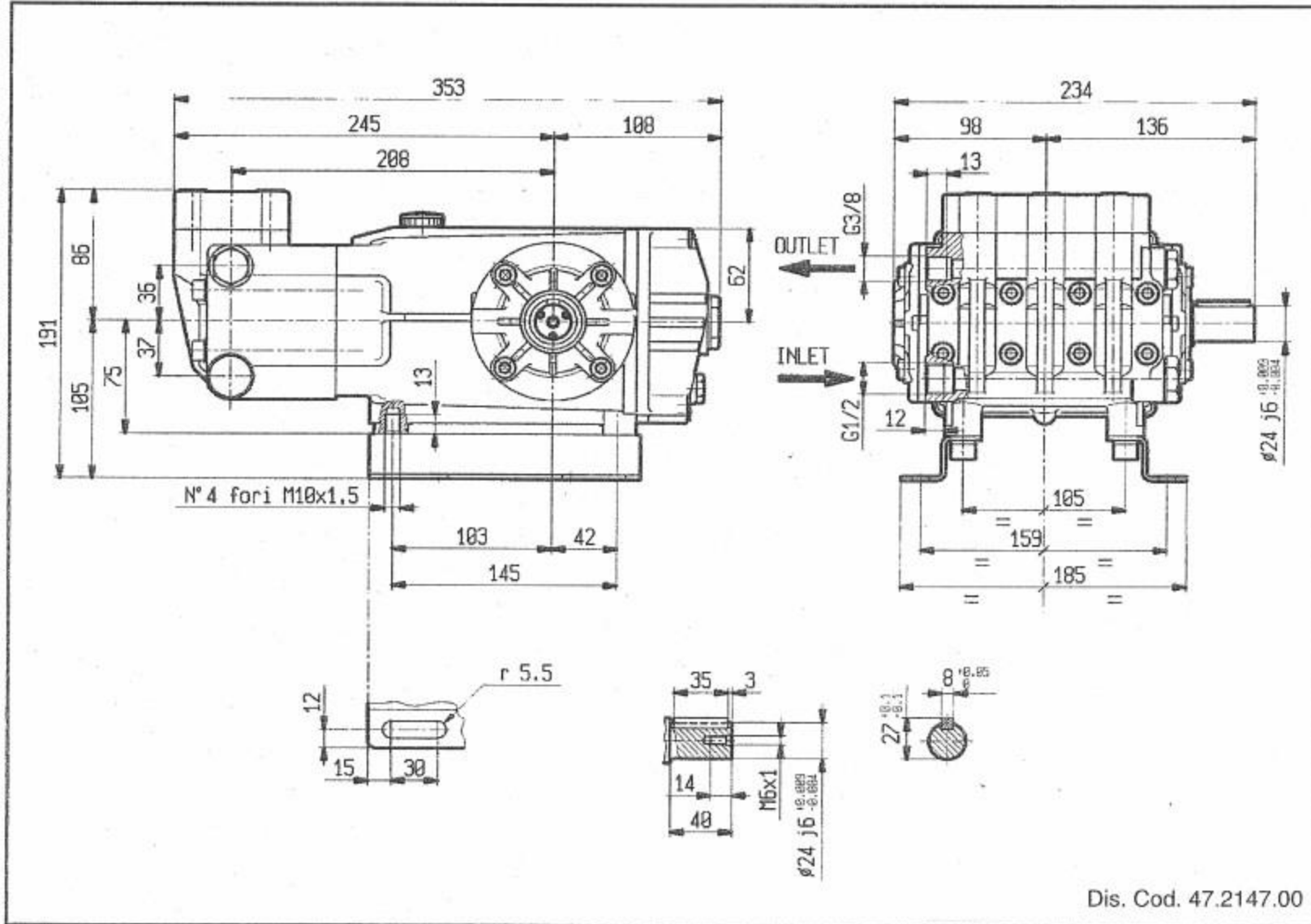


OVERALL DIMENSIONS

外型尺寸






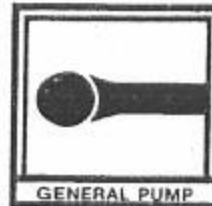
LUBRICATION: We recommend INTERPUMP OIL X-9.9. (SAE 15W40 Mineral) - OIL CAPACITY | 1.2
 润滑: 我们建议您使用INTERPUMP OIL X-9.9 (SAE 15W40 Mineral) 加油量为1.2L



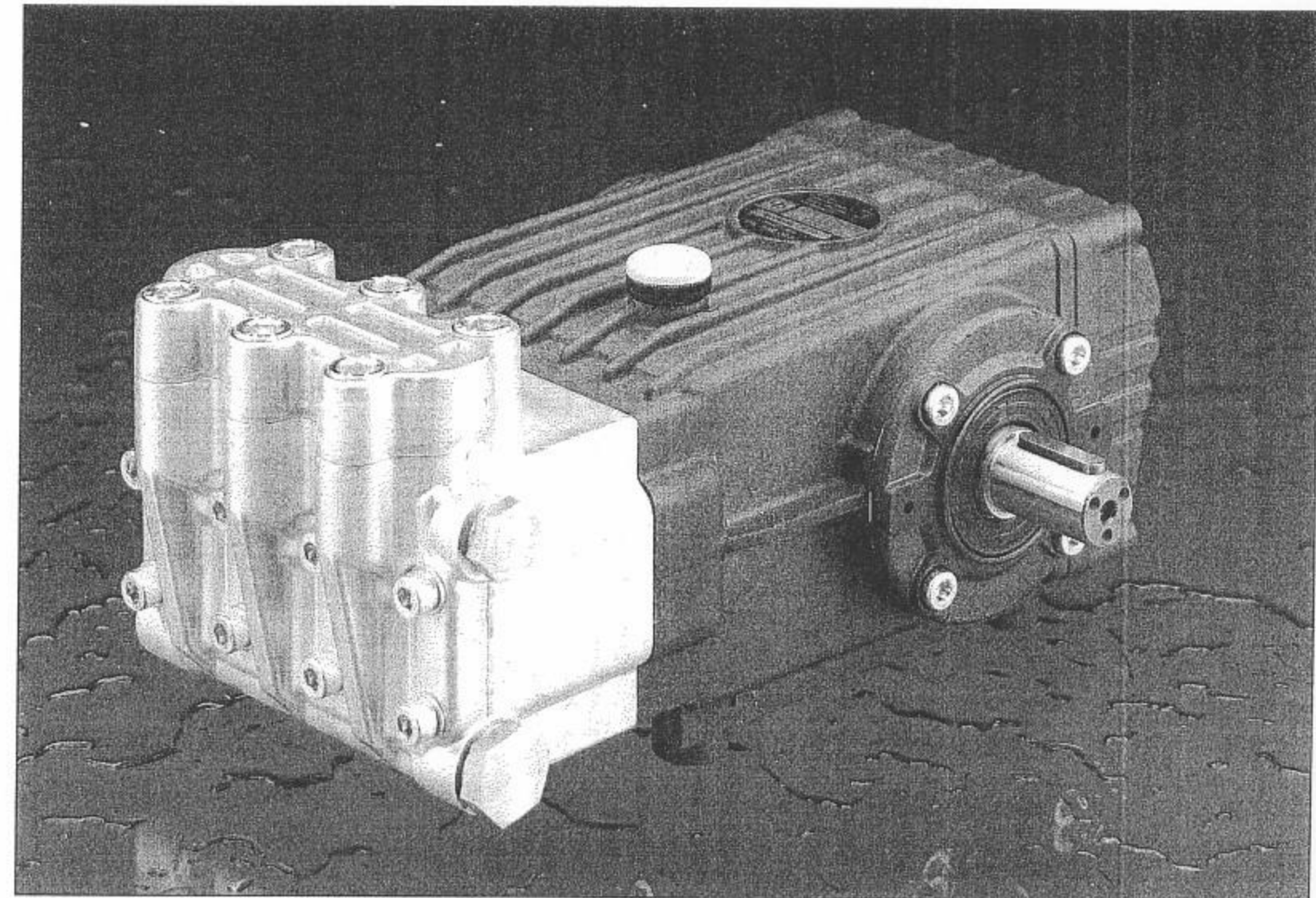
...FIRST IN THE WORLD...
...PRIMI NEL MONDO...



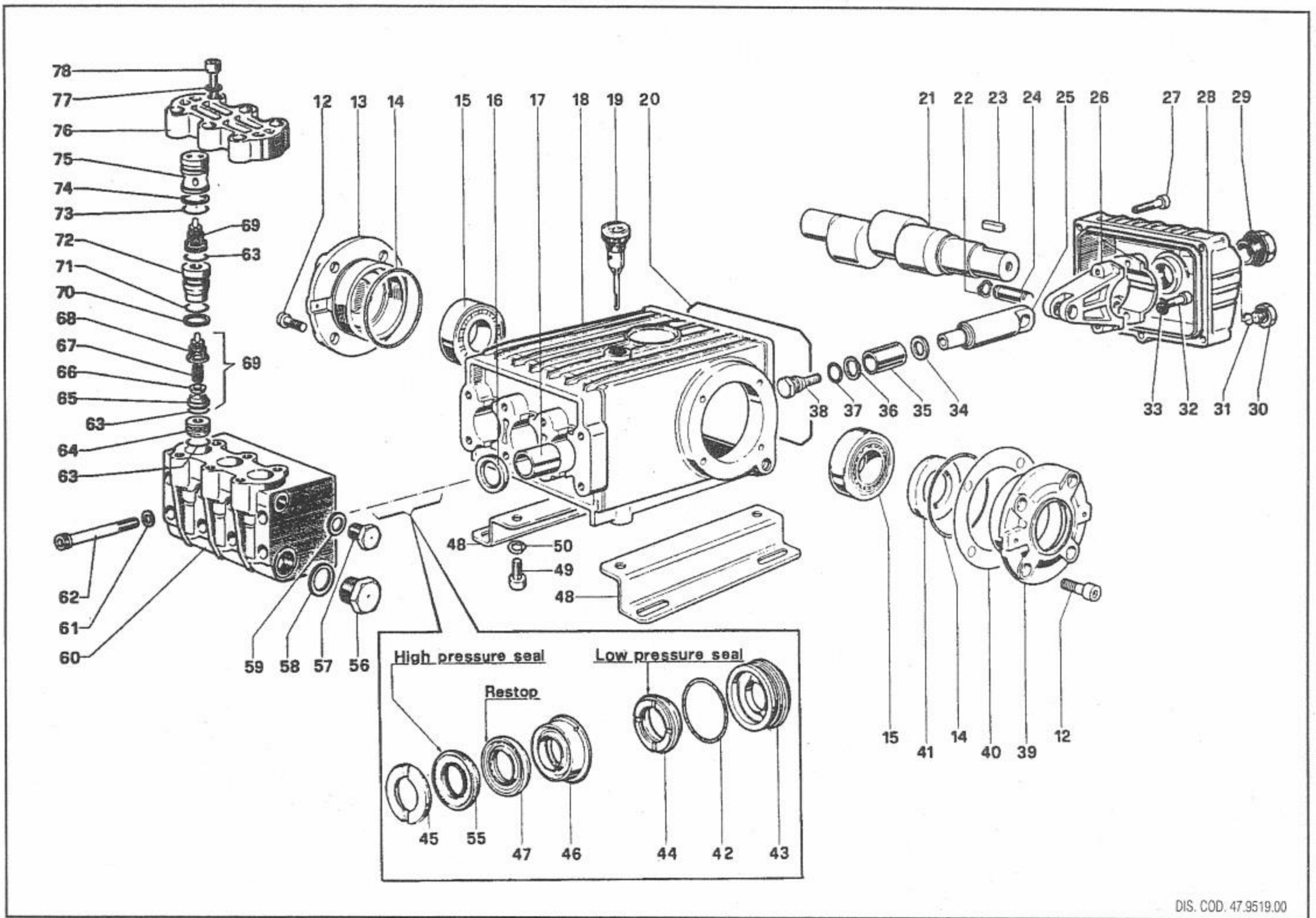
cod. 47.2245.03 - 04/06 - 500 DePietri



INTERPUMP GROUP



PUMP **T5050**



pump type	volume 流量		pressure 压力		r.p.m. 转速	required 输入功率		weight kg. 重量	overall dimensions 外型尺寸
	l/min.	G.P.M. (USA)	bar	p.s.i.		hp	kw		
T5050	18	4.75	350	5075	1750	17	12,50	18.5	353x234x191 mm. 13.86x9.21x7.51 inches



DIS. COD. 47.9519.00

KIT N.	KIT 2	KIT 3	KIT 107	KIT 108	KIT 109	KIT 110	KIT 150	KIT 151
Positions Included 包含	16	41	36-37 38	45	44-47 55	46	63-65 66-67 68-(69)	42-43 44-45 46-47 55
N. pcs.	3	2	3	6	3	3	6	1

POS.	CODE	DESCRIPTION	说明	N. PCS.
12	99.3039.00	Vite M8x16 UNI 5931	螺栓	8
13	47.1501.22	Coperchio carter	曲轴箱盖	1
14	90.3913.00	OR Ø 67,95x2,62	o型圈	2
15	91.8377.00	Cuscinetto a rulli conici	滚子轴承	2
16	90.1625.00	Anello radiale Ø 22x32x5,5	油封	3
17	90.9126.00	Boccola Ø 22x25x30	衬套	3
18	47.0106.22	Carter	曲轴箱	1
19	98.2106.00	Tappo carico olio G 3/8	油标螺丝	1
20	90.3922.00	OR Ø 133,02x2,62	o型圈	1
21	47.0223.35	Albero	曲轴	1
22	90.0557.00	Anello di fermo	轴用挡圈	6
23	91.4890.00	Linguetta	键	1
24	97.7380.00	Spinotto Ø 13x35	销子	3
25	47.0506.54	Guida pistone	阀导向	3
26	47.0300.01	Biella completa	连杆	3
27	99.1912.00	Vite M6x30 UNI 5931	螺栓	5
28	47.1601.22	Coperchio carter	曲轴箱盖	1
29	97.5968.00	Spia olio G 3/4	泄油螺丝	1
30	98.2041.00	Tappo G 1/4x9	螺丝	1
31	90.3585.00	OR Ø 10,82x1,78	o型圈	1
32	99.3099.00	Vite M8x35 UNI 5931	螺栓	6
33	96.7014.00	Rosetta Ø 8,4x13x0,8	垫圈	6
34	47.2102.70	Distanziale Ø 11x15,5x2,5	调整垫圈	3
35	47.0408.56	Pistone Ø 16	柱塞	3
36	90.5033.00	Anello per OR	密封圈	KIT 107 3
37	90.3577.00	OR Ø 7,66x1,78 - spec.	o型圈	KIT 107 3
38	47.2196.66	Vite fissaggio pistone	柱塞螺丝	KIT 107 3
39	47.1500.22	Coperchio carter	曲轴箱盖	1
40	97.5678.00	Spessore	薄片	2
41	90.1648.00	Anello radiale Ø 30x55x7	油封	KIT 3 1
42	90.3616.00	OR Ø 34,65x1,78	o型圈	KIT 151 3
43	47.0811.70	Anello di fondo Ø 16	轴用挡圈	KIT 151 3

POS.	CODE	DESCRIPTION	说明	N. PCS.
44	90.2644.00	Anello tenuta Ø 16 L.P. seal	低压密封环	KIT 109 - 151 3
45	47.1003.51	Anello testa Ø 16	第一环	KIT 108 - 151 3
46	47.2172.70	Anello intermedio Ø 16	中间环	KIT 110 - 151 3
47	90.2643.00	Anello "RESTOP" Ø 16	限位环	KIT 109 - 151 3
48	47.2000.74	Piedino	底脚	2
49	99.3644.00	Vite M10x18 UNI 5931	螺栓	4
50	96.7106.00	Rosetta Ø 10 DIN 7980	垫圈	4
55	90.2642.00	Anello tenuta Ø 16 H.P. seal	高压密封环	KIT 109 - 151 3
56	98.2176.00	Tappo G 1/2x10	螺丝	1
57	98.2100.00	Tappo G 3/8x13	螺丝	1
58	96.7514.00	Rosetta Ø 21,5x27x1,5	垫圈	1
59	96.7380.00	Rosetta Ø 17,5x23x1,5	垫圈	1
60	47.1216.41	Testata	铸造	1
61	96.7020.00	Rosetta Ø 8 UNI 1736	垫圈	8
62	99.3260.00	Vite M8x100 UNI 5931	螺栓	8
63	90.3841.00	OR Ø 17,13x2,62	o型圈	KIT 150 9
64	47.2104.70	Distanziale	调整垫片	3
65	36.2003.66	Sede valvola	阀座	KIT 150 6
66	36.2032.66	Valvola sferica	阀垫	KIT 150 6
67	94.7376.00	Molla Ø 9,4x14,8	弹簧	KIT 150 6
68	36.2025.51	Guida valvola	阀导向	KIT 150 6
69	36.7121.01	Gruppo valvola	阀单元	KIT 150 6
70	90.5115.00	Anello per OR	挡圈	3
71	90.3843.00	OR Ø 17,86x2,62	o型圈	3
72	47.2103.66	Bussola	衬套	3
73	90.4041.00	OR Ø 20,22x3,53	o型圈	3
74	90.5146.00	Anello per OR	挡圈	3
75	47.2101.70	Tappo Ø 28	螺丝	3
76	47.2100.41	Coperchio valvole	阀盖	1
77	96.7195.00	Rosetta Ø 12 Schnorr	垫圈	6
78	99.4282.00	Vite M12x30 UNI 5931	螺栓	6