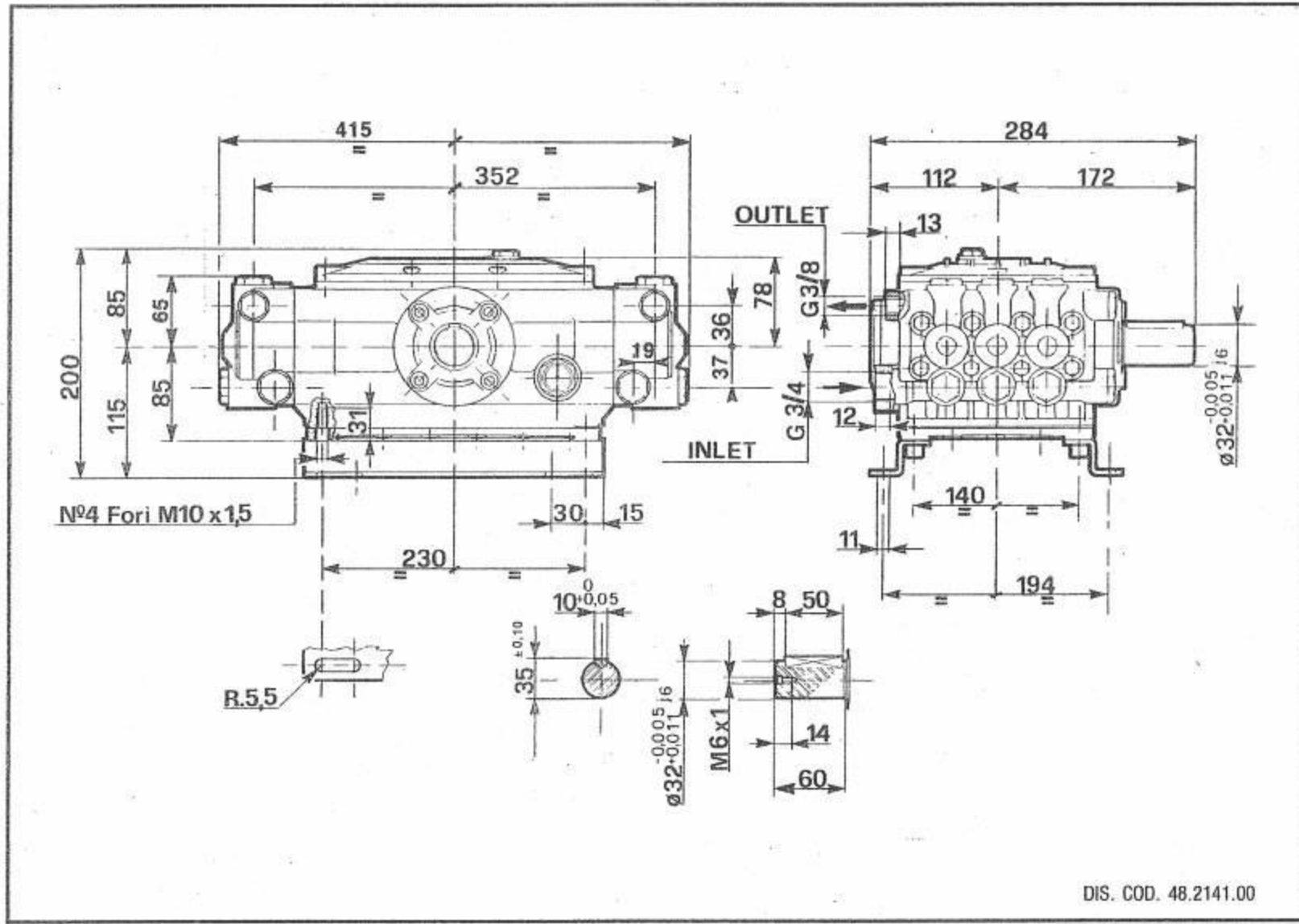


OVERALL DIMENSIONS

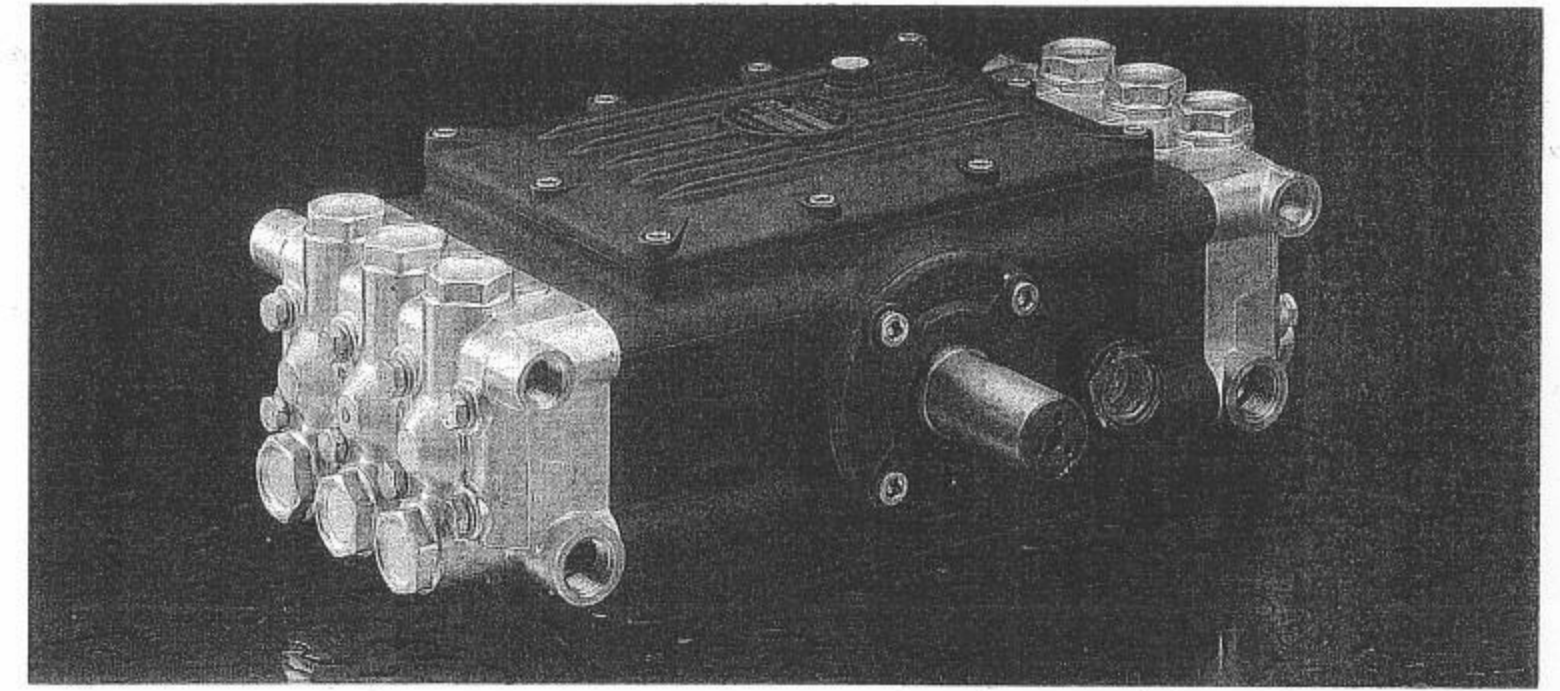
外形尺寸



Revisione n. 3



PUMP **WS135 - W163 - W203**
TS1351 - T1631 - T2031



■ LUBRICATION: We recommend INTERPUMP OIL X-9.9. (SAE 15W40 Mineral) - OIL CAPACITY / 1.6
 润滑: 我们建议您使用INTERPUMP OIL X-9.9 (SAE 15W40 Mineral) 加油量 1.6L

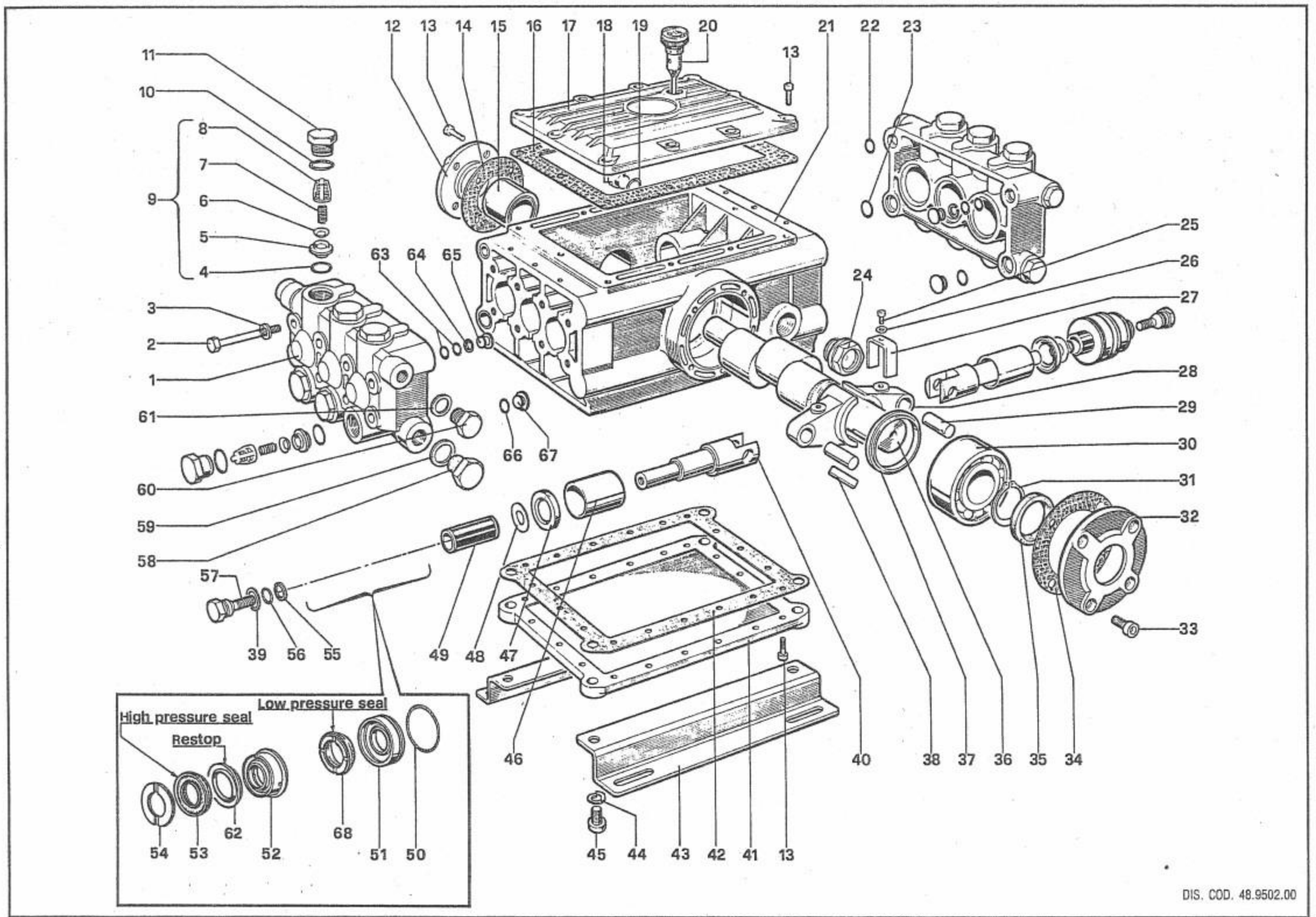
Cod. 48.2132.03 - 10/06 - 1.000 DePietri

pump type		volume		pressure		r.p.m.	required hp/kw	weight kg.	overall dimensions
		流量		压力		转速	输入功率	重量	外型尺寸
		l/min.	G.P.M. (USA)	bar	p.s.i.				
WS135	TS1351	41	10.83	130	1885	1450	15/11,02	27,5	415x284x200
W163	T1631	35	9.25	160	2320	1000	15/11,02	27,5	415x284x200
W203	T2031	30	7.92	200	2900	1000	15/11,02	27,5	415x284x200

U.S.A. VERSION 美国版

Model	型号	Max. volume G.P.M.	Max. pressure p.s.i.	Max. r.p.m.	Max. B.H.P./Kw	Weight lbs.	Overall dimensions inches
TS1351		11.0	2000	1450	15.0/11,02	60.7	16.3x11.2x7.9
T1631		10.0	2500	1080	17.0/12,5	60.7	16.3x11.2x7.9
T2031		9.0	3000	1140	18.2/13,38	60.7	16.3x11.2x7.9





KIT N.	KIT 1	KIT 4	KIT 6	KIT 24
Positions included 包含	4-5-6-7 8-(9)	10-11	39-48 55-56-57	47
N. pcs.	6	6	3	3

WS135 W203 TS1351 T2031	KIT 7	KIT 69	KIT 71	KIT 10	KIT 28
	54	53-62 68	52-62	50-51	50-51-52 53-54-62-68
	6	3	3	3	1

W163 T1631	KIT 11	KIT 148	KIT 149	KIT 14	KIT 29
	54	53-62 68	52-62	50-51	50-51-52 53-54-62-68
	6	3	3	3	1

POS.	CODE-CODICE	DESCRIPTION-DESCRIZIONE	N. PCS.
1	48.1202.41	Testata OT 58 - BRASS 铸造黄铜OT58	2
2	99.3206.00	Vite M 8x70 UNI 5737 螺栓	16
3	96.7020.00	Rosetta Ø 8 UNI 1736 垫圈	16
4	90.3841.00	OR Ø 17,13x2,62 ○型圈	12
5	36.2003.66	Sede valvola 阀座	KIT 1
6	36.2001.76	Valvola 阀	KIT 1
7	94.7376.00	Molla Ø 9,4x14,8 弹簧	KIT 1
8	36.2002.51	Guida valvola 阀导向	KIT 1
9	36.7032.01	Gruppo valvola 阀单元	KIT 1
10	90.3847.00	OR Ø 20,24x2,62 ○型圈	KIT 4
11	98.2220.00	Tappo M24x2x16 垫圈	12
12	48.1601.22	Coperchio carter 曲轴箱盖	1
13	99.1837.00	Vite M 6x14 UNI 5931 螺栓	32
14	48.2119.84	Guarnizione coperchio 端盖垫片	1
15	91.8370.00	Cuscinetto a rullini Ø 30x47x30 滚子轴承	1
16	48.2118.84	Guarnizione coperchio 端盖垫片	1
17	48.2114.22	Coperchio carter 曲轴箱盖	1
18	98.2041.00	Tappo G 1/4x9 垫圈	1
19	90.3585.00	OR Ø 10,82x1,78 ○型圈	1
20	98.2097.00	Tappo G 3/8 垫圈	1
21	48.0104.02	Carter 曲轴箱	1
22	90.3827.00	OR Ø 11,91x2,62 ○型圈	2
23	90.3839.00	OR Ø 15,88x2,62 ○型圈	2
24	97.5968.00	Spia livello olio G 3/4 油标螺丝	1
25	99.1537.00	Vite M5x12 UNI 5931 螺栓	6
26	96.6910.00	Rosetta Ø 5,3x9x0,6 垫圈	6
27	48.2170.74	Forcella bielle 固定器	6
28	48.0301.22	Coppia di bielle 双连杆	3
29	97.7374.00	Spinotto Ø 13x29,5 衬套	6
30	91.8475.00	Cuscinetto a sfere rif. 3207 球轴承	1
31	90.0695.00	Anello fermo albero 卡簧	1
32	48.1500.22	Coperchio carter 曲轴箱盖	1
33	99.3039.00	Vite M8x16 UNI 5931 螺栓	4
34	48.2112.84	Guarnizione coperchio 端盖垫片	1

POS.	CODE-CODICE	DESCRIPTION-DESCRIZIONE	N. PCS.
35	90.1670.00	Anello radiale Ø 35x52x7 油封	1
36	48.0202.35	Albero WS135 - TS1351 曲轴	1
	48.0201.35	Albero W163 - T1631 - W203 - T2031	1
37	48.2123.89	Anello bielle 连杆环	6
38	91.4975.00	Linguetta 薄垫片	1
39	96.7280.00	Rosetta Ø 14x18,5x0,5 垫圈	KIT 6
40	48.0501.54	Guida pistone 柱塞导向	6
41	48.2116.22	Coperchio carter 曲轴箱盖	1
42	48.2117.84	Guarnizione coperchio 端盖垫片	1
43	48.2000.74	Piedino 底脚	2
44	96.7106.00	Rosetta Ø 10 DIN 7980 垫圈	4
45	99.3699.00	Vite M10x35 UNI 5931 螺栓	4
46	90.9150.00	Boccola Ø 30x34x40 衬套	6
47	90.1627.00	Anello radiale Ø 22x35x8 油封	KIT 24
48	96.7286.00	Rosetta Ø 14x28x0,5 垫圈	KIT 6
49	* * *	See Table A - Ved. Tab. A	
50	90.3616.00	OR Ø 34,65x1,78 ○型圈	KIT 10-14-28-29
51	* * *	See Table A - Ved. Tab. A	
52	* * *	See Table A - Ved. Tab. A	
53	* * *	See Table A - Ved. Tab. A	
54	* * *	See Table A - Ved. Tab. A	
55	90.5067.00	Anello per OR 密封环	KIT 6
56	90.3585.00	OR Ø 10,82x1,78 ○型圈	KIT 6
57	47.2195.66	Vite fissaggio pistone 柱子螺栓	KIT 6
58	98.2176.00	Tappo G 1/2x10 螺丝	4
59	96.7514.00	Rosetta Ø 21,5x27x1,5 垫圈	4
60	98.2100.00	Tappo G 3/8x13 螺丝	3
61	96.7380.00	Rosetta Ø 17,5x23x1,5 垫片	3
62	* * *	See Table A - Ved. Tab. A	
63	90.3580.00	OR Ø 8,73x1,78 - spec. ○型圈	4
64	90.5037.00	Anello per OR 密封环	2
65	48.2204.70	Tappo interno Ø 12 中间螺丝	2
66	90.3825.00	OR Ø 10,78x2,62 ○型圈	2
67	48.2203.70	Tappo interno Ø 16 中间螺丝	2
68	* * *	See Table A - Ved. Tab. A	

WS135-W203 TS1351-T2031 STARTING FROM 07/95 IN PRODUZIONE dal 07/95	POS.	CODE-	DESCRIPTION	N. PCS.
	49	47.0404.09	Pistone Ø 20	6
	51	47.0805.70	Anello di fondo Ø 20 KIT 10-28	6
	52	47.2169.70	Anello intermedio Ø 20 KIT 28-71	6
	53	90.2705.00	Anello di tenuta Ø 20 H.P. seal KIT 28-69	6
	54	47.1000.51	Anello testa Ø 20 KIT 7-28	6
	62	90.2704.00	Anello "RESTOP" Ø 20 KIT 28-69-71	6
	68	90.2710.00	Anello di tenuta Ø 20 L.P. seal KIT 28-69	6

TAB. A

W163 - T1631 STARTING FROM 09/95 IN PRODUZIONE dal 09/95	POS.	CODE	DESCRIPTION	N. PCS.
	49	47.0405.09	Pistone Ø 22	6
	51	47.0806.70	Anello di fondo Ø 22 KIT 14-29	6
	52	47.2170.70	Anello intermedio Ø 22 KIT 29-149	6
	53	90.2725.00	Anello di tenuta Ø 22 H.P. seal KIT 29-148	6
	54	46.1000.51	Anello testa Ø 22 KIT 11-29	6
	62	90.2730.00	Anello "RESTOP" Ø 22 KIT 29-148-149	6
	68	90.2728.00	Anello di tenuta Ø 22 L.P. seal KIT 29-148	6