

KIT N.	KIT 1	KIT 83	KIT 84	KIT 86	KIT 96	KIT 97
Positions Included	10-11-12 13-14 (17)	5	15-16	20-21 22	18-19 20-21 22	18-19 21-22
Posizioni Include						
N. pcs.	6	3	6	3	1	3

**STANDARD
VERSION
VERSIONE
STANDARD**

**INTERPUMP
WW55-56
74-75-90
93-94-95**

**GENERALPUMP
TT551-561
741-751
901-931
941-951**

POS.	CODE CODICE	DESCRIPTION DESCRIZIONE	N. PCS.
1	51.0106.22	Carter	1
2	98.2100.00	Tappo G 3/8x13	2
3	90.3833.00	OR Ø 13,95x2,62	1
4	51.2090.51	Protezione	1
5	90.1565.00	Anello radiale Ø 15x24x5	3
6	98.2041.00	Tappo G 1/4x9	1
7	51.1200.22	Testata All. Nickel	1
8	51.1200.41	Testata OT 58 - Brass	1
9	96.6938.00	Rosetta Ø 6,4 Schnorr	12
10	99.1943.00	Vite M 6x40 UNI 5931	8
11	90.3841.00	OR Ø 17,13x2,62	6
12	36.2003.66	Sede valvola	6
13	36.2001.76	Valvola	6
14	94.7376.00	Molla Ø 9,4x14,8	6
15	36.2002.51	Guida valvola	6
16	90.3847.00	OR Ø 20,24x2,62	6
17	98.2218.00	Tappo M 24x1,5	6
18	36.7032.01	Gruppo valvola	6
19	51.1000.51	Anello di testa	3
20	90.2620.00	Anello tenuta Ø 15	3
21	51.0800.70	Anello di fondo Ø 15	3
22	90.3604.00	OR Ø 25,12x1,78	3
23	90.3835.00	OR Ø 15,08x2,62	3
24	97.5968.00	Spia livello olio G 3/4	1
25	91.8014.00	Boccola a rullini	1
26	98.2103.00	Tappo carico olio G 3/8	1
27	92.2216.00	Dado M 8 - Inox	3
28	44.2115.70	Rosetta Ø 8 con collare	3
29	51.0400.09	Pistone Ø 15	3
30	90.3572.00	OR Ø 5,28x1,78 - Spec.	3
31	90.5022.00	Anello per OR	3
32	96.7070.00	Rosetta Ø 9	3

POS.	CODE CODICE	DESCRIPTION DESCRIZIONE	N. PCS.
32	97.7310.00	Spinotto Ø 8x24,5	3
33	51.1600.22	Coperchio carter	1
34	99.1867.00	Vite M 6x18 - UNI 5931	4
35	90.3917.00	OR Ø 88,57x2,62	1
36	51.0300.22	Biella	3
37	51.0500.56	Guida pistone	3
38	91.4878.00	Linguetta	1
39	99.1807.00	Vite M 6x10 UNI 5739	4
40	50.1500.74	Coperchio carter	1
41	50.2115.51	Distanziale	1
42	90.4097.00	OR Ø 55,56x3,53	1
43	90.1634.00	Anello radiale Ø 25x42x7	1
44	90.0635.00	Anello fermo albero	1
45	91.8328.00	Cuscinetto a sfere 6305	1
46	51.0200.35	Albero WW55/74/90 - TT551/741/901	1
46	51.0201.35	Albero WW56/75/93 - TT561/751/931	1
46	51.0204.35	Albero WW94 - TT941	1
46	51.0217.35	Albero WW95 - TT951	1

VERSION A - B - C

For pumps: W905-WW906-WW907

VERSION A

DIS. COD. 51.9517.00

For pumps: T9051-TT9061-TT9071

A For electric motors (60 Hz) 56 C
适用于电动机 (60 Hz) 56 C

POS.	CODE	DESCRIPTION	N. PCS.
38	99.3345.00	Vite 3/8"x1"x16 UNC	4
39	96.7104.00	Rosetta Ø 10 Schnorr	4
40	99.1867.00	Vite M 6x18 UNI 5931	4
41	96.6938.00	Rosetta Ø 6,4 Schnorr	4
42	10.0344.22	Flangia per Mot. Elett. 56C	1
43	50.2115.51	Distanziale	1
44	90.4097.00	OR Ø 55,56x3,53	1
45	90.1644.00	Anello radiale Ø 30x42x7	1
46	90.0667.00	Anello fermo albero	1
47	91.8373.00	Cuscinetto a sfere 6206	1
47	51.0208.35	Albero WW906-TT9061	1
48	51.0209.35	Albero WW907-TT9071	1
48	51.0215.35	Albero W905-T9051	1

For pumps: WW55-56 WW74-75-90-93-94-95

VERSION B

DIS. COD. 51.9518.00

For pumps: TT551-561 TT741-751-901-931-941-951

B For electric motors (50 Hz)
适用于电动机 (50 Hz)

POS.	CODE	DESCRIPTION	N. PCS.
49	99.3067.90	Vite M 8x25 UNI 5739	4
50	96.7014.00	Rosetta Ø 8,4 Schnorr	4
51	99.1867.00	Vite M 6x18 UNI 5931	4
52	96.6938.00	Rosetta Ø 6,4 Schnorr	4
53	10.0345.22	Flangia per Mot. Elett.	1
54	50.2115.51	Distanziale	1
55	90.4097.00	OR Ø 55,56x3,53	1
56	90.1644.00	Anello radiale Ø 30x42x7	1
57	90.0667.00	Anello fermo albero	1
58	91.8373.00	Cuscinetto a sfere 6206	1
58	51.0212.35	Albero WW55/74/90 - TT551/741/901	1
58	51.0213.35	Albero WW56/75/93 - TT561/751/931	1
59	51.0214.35	Albero WW94 - TT941	1
59	51.0216.35	Albero WW95 - TT951	1

For pumps: WW906-WW907-WW909

VERSION C

DIS. COD. 51.9519.00

For pumps: TT9061-TT9071-TT9091

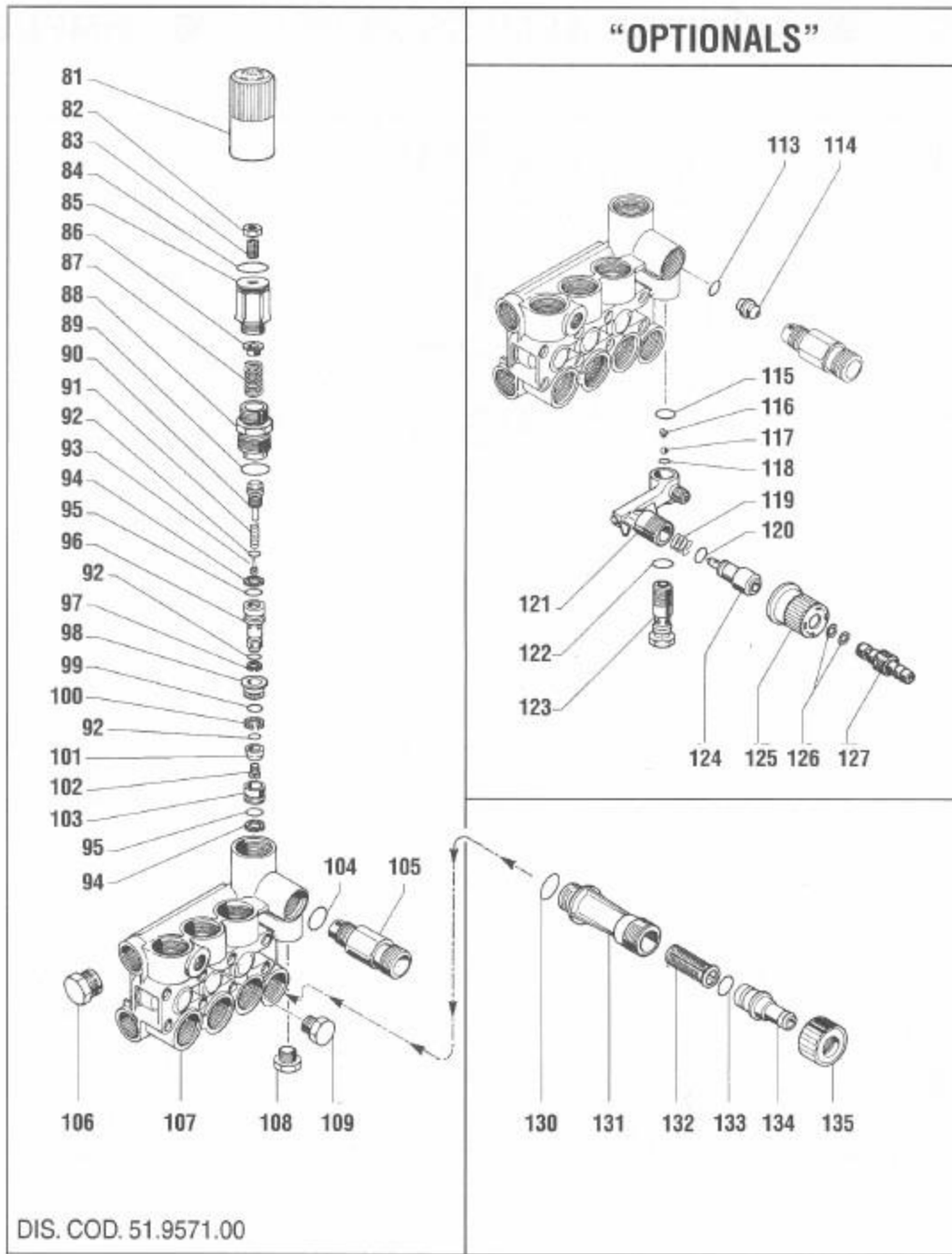
C For gasoline engines
适用于汽油机

POS.	CODE	DESCRIPTION	N. PCS.
60	99.2730.00	Vite 5/16"x3/4"x24 UNF	4
61	96.7014.00	Rosetta Ø 8,4 Schnorr	4
62	10.0346.22	Flangia per Mot. a scoppio	1
63	99.1867.00	Vite M 6x18 UNI 5931	4
64	96.6938.00	Rosetta Ø 6,4 Schnorr	4
65	50.2115.51	Distanziale	1
66	90.4097.00	OR Ø 55,56x3,53	1
67	90.1644.00	Anello radiale Ø 30x42x7	1
68	90.0667.00	Anello fermo albero	1
69	91.8373.00	Cuscinetto a sfere 6206	1
69	51.0210.35	Albero WW906-TT9061	1
70	51.0211.35	Albero WW907-TT9071	1
70	51.0218.35	Albero WW909-TT9091	1

VERSION V

VERSION WITH BUILT-IN AUT. UNLOADER

带内置式稳压器型



DIS. COD. 51.9571.00

KIT N.	KIT 94	KIT 102
Positions included	104-113-115 116-117-118 119-120	88-89-90-91 92-93-94-95 96-97-98-99
包含	122-126	100-101 102-103
N. pcs.	1+2	1+3

POS.	CODE	DESCRIPTION	N. PCS.
81	36.3187.51	Pomolo	1
82	92.2218.00	Dado M8 UNI 5589	1
83	99.3054.00	Vite M8x20 UNI 5923	1
84	90.3598.00	OR Ø 20,35x1,78	1
85	36.3185.70	Registrazione pressione	1
86	36.3169.70	Piattello molla	1
87	94.7436.00	Molla Ø 15x35	1
88	36.3184.70	Boccola di guida	KIT 102
89	90.3847.00	OR Ø 20,24x2,62	KIT 102
90	36.3188.70	Fine corsa	KIT 102
91	94.7332.00	Molla Ø 6,1x19	KIT 102
92	90.3575.00	OR Ø 6,75x1,78 - Spec.	KIT 102
93	97.4800.00	Sfera Ø 9/32" (valido fino al 31/5/2004 - valid up to 31/5/2004)	KIT 102
	36.3331.51	Otturatore (valido dall'1/6/2004 - valid from 1/6/2004)	KIT 102
94	90.5065.00	Anello per OR	KIT 102
95	90.3822.00	OR Ø 9,92x2,62 - Spec.	KIT 102
96	36.3189.70	Pistoncino di comando	KIT 102
97	90.5025.00	Anello per OR	KIT 102
98	36.3165.70	Guida valvola	KIT 102
99	90.3589.00	OR Ø 12,42x1,78	KIT 102
100	90.5075.00	Anello per OR	KIT 102
101	36.3190.66	Valvola sferica	KIT 102
102	99.1509.00	Vite M5x0,8x7,5	KIT 102
103	36.3164.66	Sede valvola	KIT 102
104	90.3832.00	OR Ø 13,95x2,62 - Spec.	KIT 94
	10.0147.70	Nipplo M22x1,5 con Ø 3	1
105	10.0078.70	Nipplo G3/8 con Ø 3	1
	10.0318.70	Nipplo 3/8 NPT con Ø 3 - USA version	1
106	98.2100.00	Tappo G 3/8x13 - (testata All/Nickel)	1
	98.2041.00	Tappo G 1/4x9 - (testata OT 58 - Brass)	1

POS.	CODE	DESCRIPTION	N. PCS.
	55.1201.22	Testata All/Nickel - Ø 15	1
107	51.1201.41	Testata OT 58 - Brass Ø 15	1
	51.1205.41	Testata OT 58 - Brass Ø 18	1
108	98.2057.00	Tappo M14x1,5	1
109	98.2041.00	Tappo G 1/4x9	1
OPTIONALS			
113	90.3822.00	OR Ø 9,92x2,62 - Spec.	KIT 94
	10.0151.66	Ugello - Nozzle Ø 2 (8+11 L/min.)	1
114	10.0076.66	Ugello - Nozzle Ø 2,2 (12+15 L/min.)	1
115	90.3582.00	OR Ø 9,25x1,78	KIT 94
116	94.8217.00	Molla conica Ø 4,3/7,3x11	KIT 94
117	97.4782.00	Sfera Ø 7/32"	KIT 94
118	90.3572.00	OR Ø 5,28x1,78 - Spec.	KIT 94
119	94.7383.00	Molla Ø 9,75x10	KIT 94
120	90.3580.00	OR Ø 8,73x1,78 - Spec.	KIT 94
121	36.3181.51	Corpo dosatore	1
122	90.3585.00	OR Ø 10,82x1,78	KIT 94
123	36.2563.70	Sede valvola	1
124	36.2564.70	Otturatore	1
125	36.2565.51	Pomolo	1
126	90.3570.00	OR Ø 4,48x1,78	KIT 94
127	36.2566.70	Innesto portagomma	1
130	90.3841.00	OR Ø 17,13x2,62	1
131	36.3182.51	Nipplo aspirazione G3/4	1
132	92.8925.00	Filtro	1
133	90.3828.00	OR Ø 12,37x2,62	1
134	36.2569.70	Portagomma aspirazione	1
135	92.9828.00	Ghiera G3/4	1

OVERALL DIMENSIONS

外型尺寸

