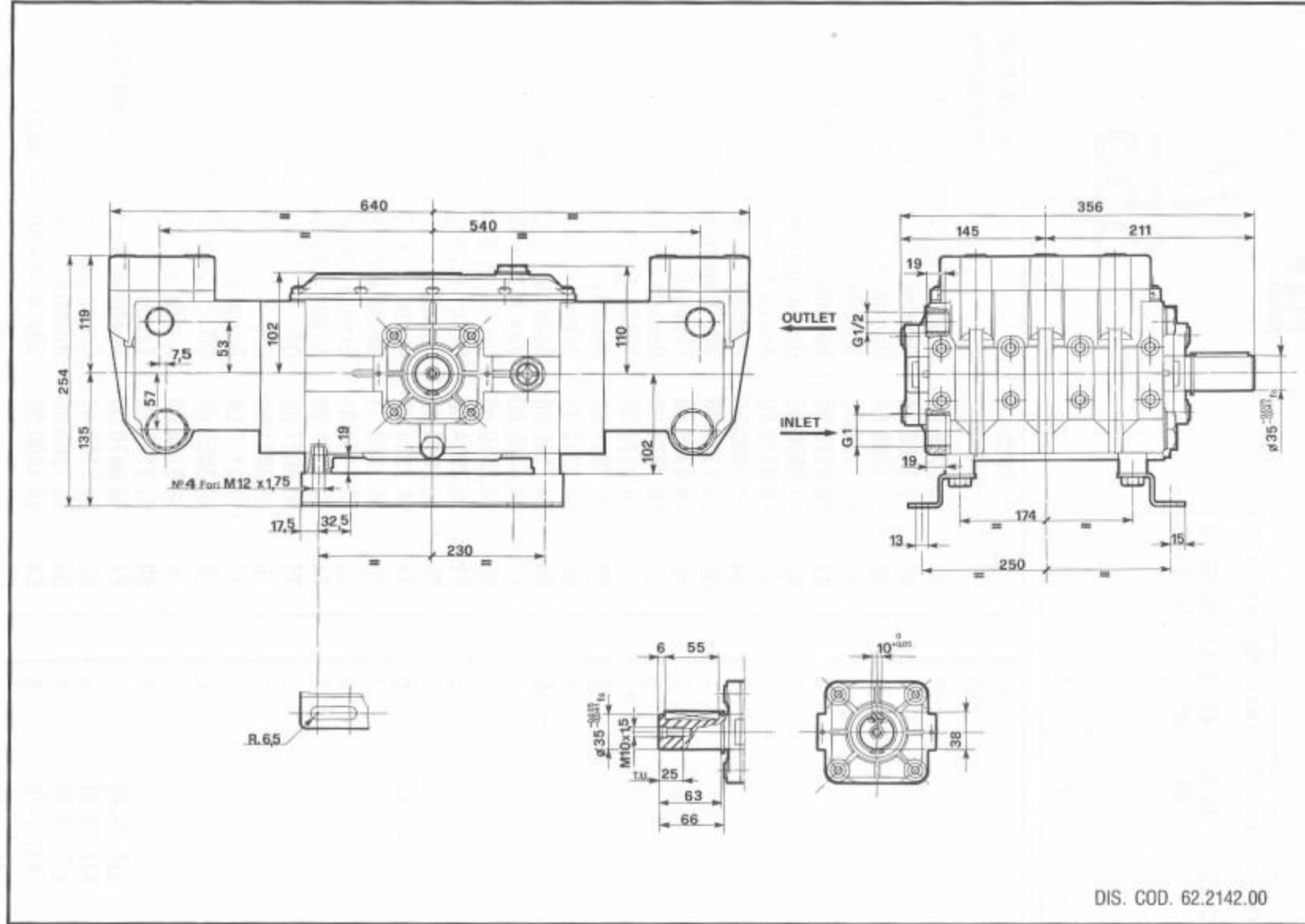


OVERALL DIMENSIONS

外型尺寸

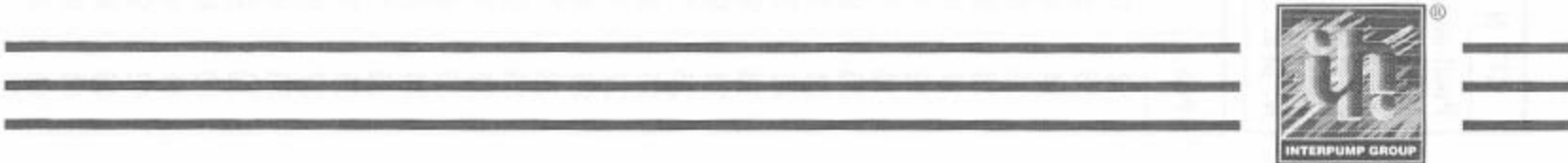


DIS. COD. 62.2142.00

LUBRICATION: We recommend INTERPUMP OIL X-9.9. (SAE 20/30) - OIL CAPACITY | 2.1

润滑：我们建议您使用INTERPUMP OIL X-9.9 (SAE 15W40 Mineral) 加油量 2.1L

62.2223.03 - 500 - 10/97 - DePietri

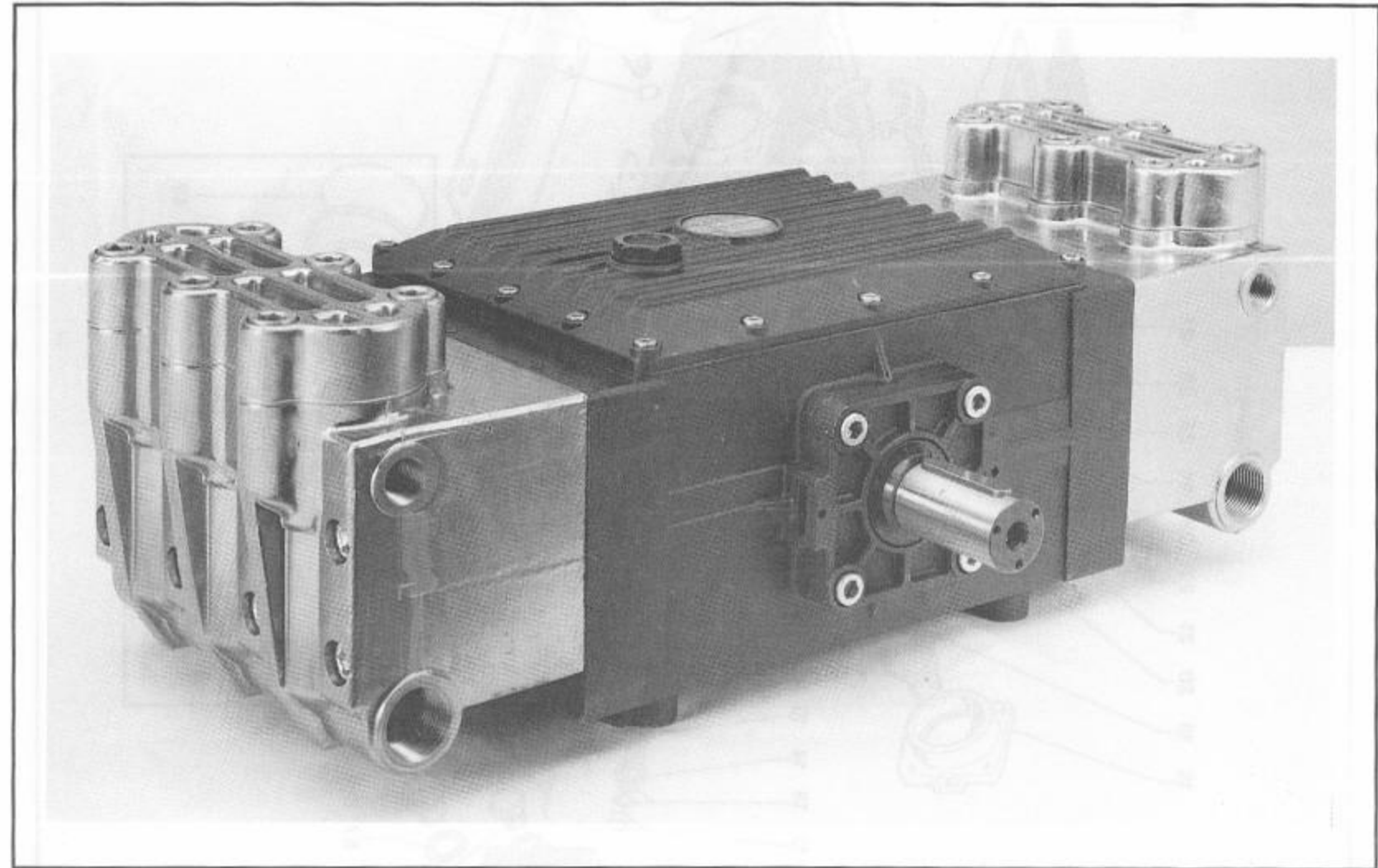


**INTERPUMP  
GROUP**

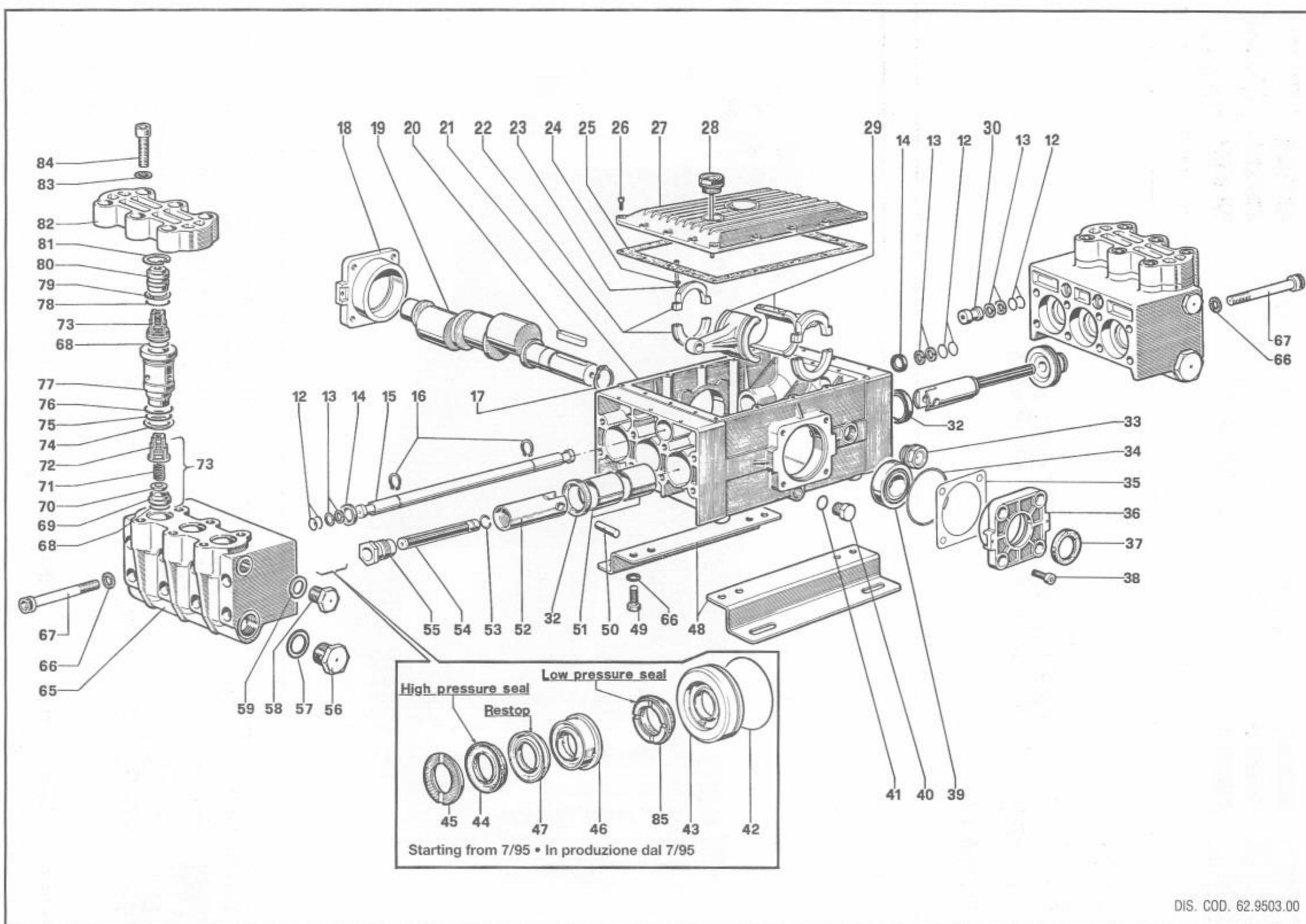


**PUMP W355 - T3551**

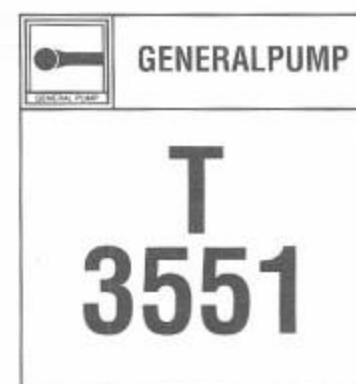
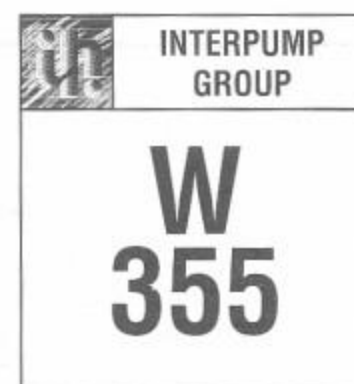
18 NOV. 1997



pump type		volume		pressure		r.p.m.	required hp	weight kg.	overall dimensions
		流量		压力		转速	输入功率	重量	外型尺寸
		l/min.	G.P.M. (USA)	bar	p.s.i.				
<b>W355</b>	<b>T3551</b>	<b>50</b>	<b>13</b>	<b>300</b>	<b>4350</b>	<b>1000</b>	<b>40</b>	<b>98,5</b>	<b>640x356x254 mm.</b>
									<b>inches</b> <b>25.2x14.0x10</b>



DIS. COD. 62.9503.00



KIT N.	KIT 7	KIT 32	KIT 44	KIT 75	KIT 76	KIT 77	KIT 78	KIT 122
Positions Included	45	37	32	46	42-43	44-47 85	42-43-44 45-46-47 85	68-69-70 71-72 (73)
包含								
N. pcs.	6	2	3	3	3	3	1	6

POS.	CODE	DESCRIPTION	N. PCS.
12	90.3835.00	OR Ø 15,08×2,62	8
13	90.5090.00	Anello per OR	8
14	90.1614.00	Anello radiale Ø 20×30×5	4
15	62.2123.92	Tubo collegamento mandata	1
16	90.0605.00	Anello fermo albero	2
17	90.0695.00	Anello fermo albero	1
18	76.1501.22	Coperchio carter	1
19	76.0210.35	Albero	1
20	91.4978.00	Linguetta	1
21	77.0102.01	Carter con boccole	1
22	77.2120.01	Anello bielle	6
23	99.1927.00	Vite M6×35 UNI 5931	12
24	96.6938.00	Rosetta Ø 6,4	12
25	77.2118.84	Guarnizione coperchio	1
26	99.1867.00	Vite M 6×18 UNI 5931	16
27	77.2114.22	Coperchio carter	1
28	98.2272.00	Tappo carico olio	1
29	77.0302.41	Coppia di bielle	3
30	62.2130.70	Tappo per mandata	2
32	90.1670.00	Anello radiale Ø 35×52×7	6
33	97.5968.00	Spia livello olio	1
34	90.4141.00	OR Ø 85,32×3,53	2
35	76.2200.78	Spessore	2
36	76.1500.22	Coperchio carter	1
37	90.1672.00	Anello radiale Ø 35×52×8	1
38	99.3652.00	Vite M10×20 UNI 5931	8
39	91.8474.00	Cuscinetto a rulli conici	2
40	98.2100.00	Tappo G 3/8×13	1
41	90.3833.00	OR Ø 13,95×2,62	1
42	90.3903.00	OR Ø 60×2,62	6
43	61.0800.70	Anello di fondo Ø 20	6
44	90.2705.00	Anello tenuta Ø 20 H.P. seal	6
45	47.1000.51	Anello di testa Ø 20	6
46	61.2160.70	Anello intermedio Ø 20	6

POS.	CODE	DESCRIPTION	N. PCS.
47	90.2709.00	Anello "RESTOP" Ø 20	6
48	76.2000.74	Piedino	2
49	99.4266.00	Vite M12×25 UNI 5739	4
50	97.7400.00	Spinotto	6
51	90.9172.00	Boccola Ø 35×39×30	12
52	61.0500.66	Guida pistone	6
53	90.0115.00	Anello fermo albero	6
54	61.0400.56	Pistone Ø 20	6
55	61.2195.66	Vite fissaggio pistone	6
56	98.2325.00	Tappo G 1×17	2
57	96.7870.00	Rosetta Ø 33,5×38×1,5	2
58	98.2178.00	Tappo G 1/2×16	3
59	96.7514.00	Rosetta Ø 21,5×27×1,5	3
65	62.1202.41	Testata nickel	2
66	96.7195.00	Rosetta Ø 12 Schnorr	20
67	99.4465.00	Vite M12×130 UNI 5931	16
68	90.3850.00	OR Ø 21,89×2,62	12
69	36.2024.66	Sede valvola	12
70	36.2013.66	Valvola	12
71	94.7394.00	Molla Ø 10,7×22,5	12
72	36.2023.51	Guida valvola	12
73	36.7114.01	Gruppo valvola	12
74	90.5181.00	Anello per OR	6
75	90.4057.00	OR Ø 31,34×3,53	6
76	90.3871.00	OR Ø 34,60×2,62	6
77	61.2177.66	Bussola	6
78	90.3855.00	OR Ø 23,47×2,62	6
79	90.5154.00	Anello per OR	6
80	61.2176.70	Tappo	6
81	90.0670.00	Anello di fermo Ø 30 UNI 7437	6
82	61.2182.41	Coperchio valvole	2
83	96.7300.00	Rosetta Ø 14 Schnorr	12
84	99.4860.00	Vite M14×50 UNI 5931	12
85	90.2710.00	Anello tenuta Ø 20 L.P. seal	6